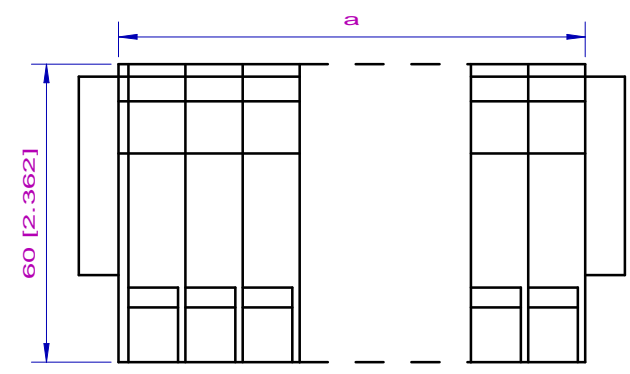
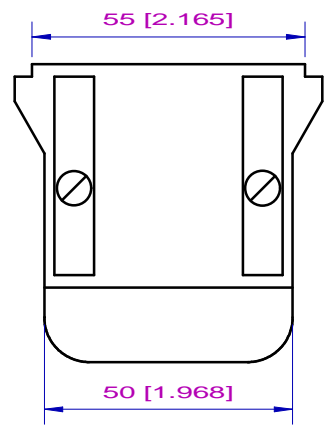


Side view



Front view



All dimensions in mm [inches]

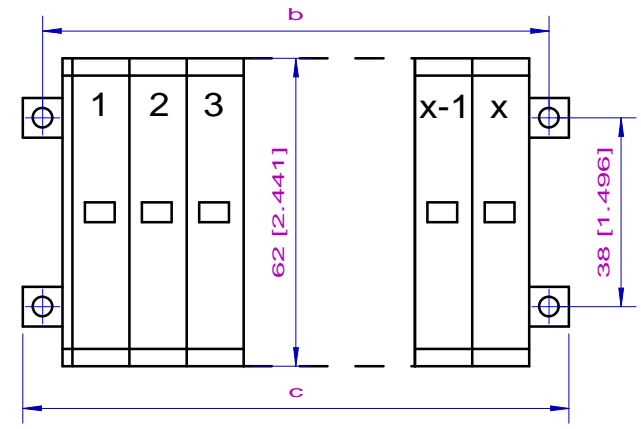
$$a = X * 11.5 [0.4528] + 2 [0.0787]$$

$$b = X * 11.5 [0.4528] + 10 [0.3937]$$

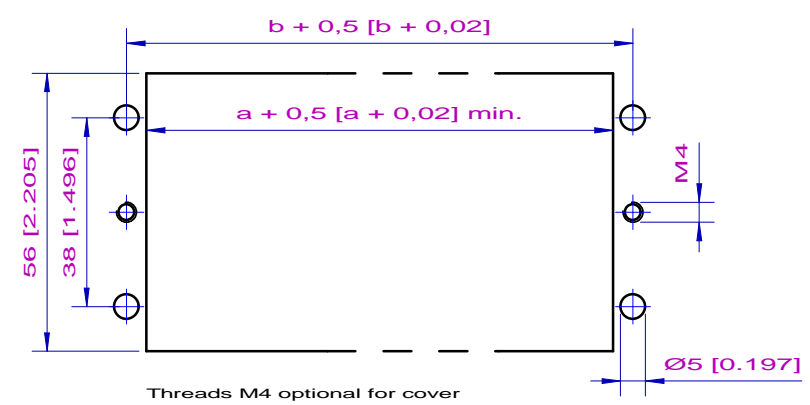
$$c = X * 11.5 [0.4528] + 18 [0.7087]$$

X = number of poles

Top view



Cutout




A

B

C

D

The reproduction, distribution and utilization of this document as well as the communication of its contents to others without explicit authorization is prohibited. Offenders will be held liable for the payment of damages. All rights reserved in the event of the grant of a patent, utility model or design.				Tolerances		Finish		Scale		Weight	
				Material		Title		Drawing No.		Sheet	
A1	Number	07-04-05	Is	2005	Date	Name		<p align="center"><b>ITS series 1001</b></p> <p align="center"><b>Testblock flush mounting</b></p> <p align="center">Dimensions and cutout</p>			
				Drawn	10-07	Isenberg					
				Chkd.							
				Appr.							
						1001.0201.en		of 1			
Rev.	Description	Date	Name								